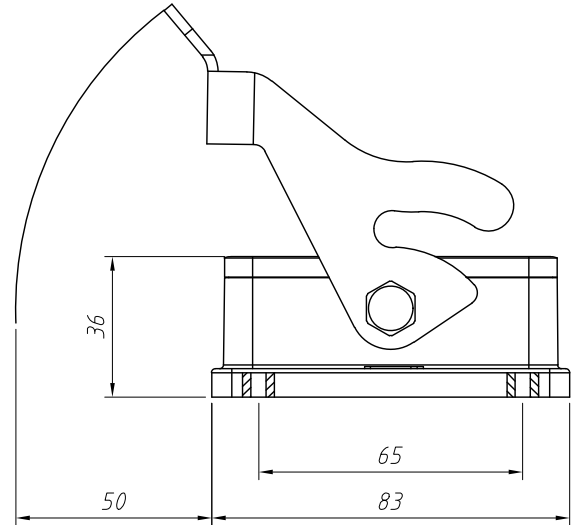
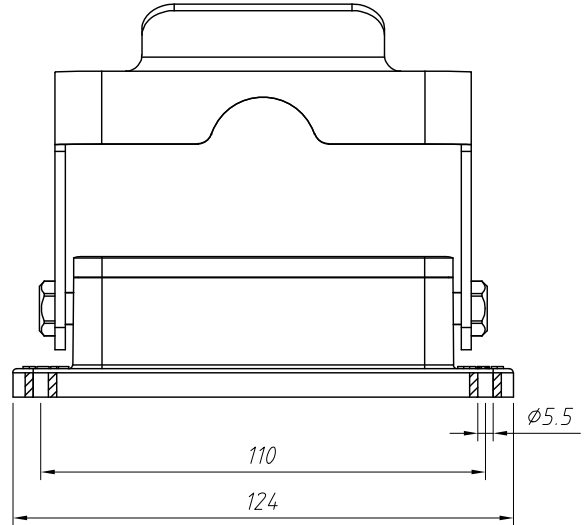
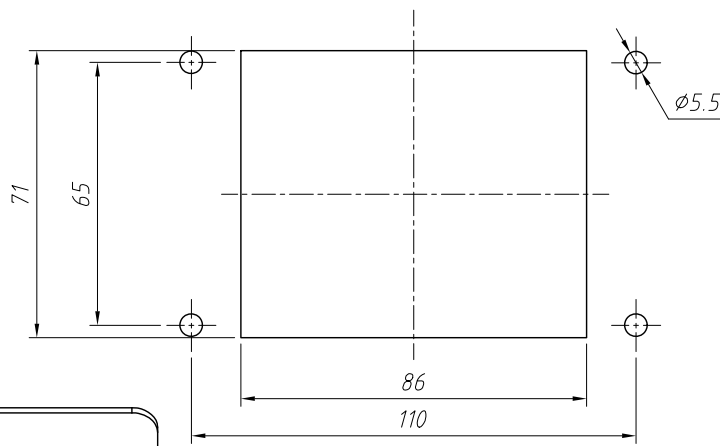


RoHS Compliance

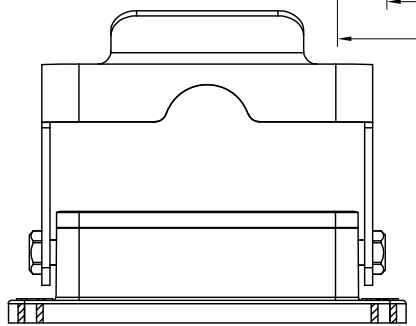
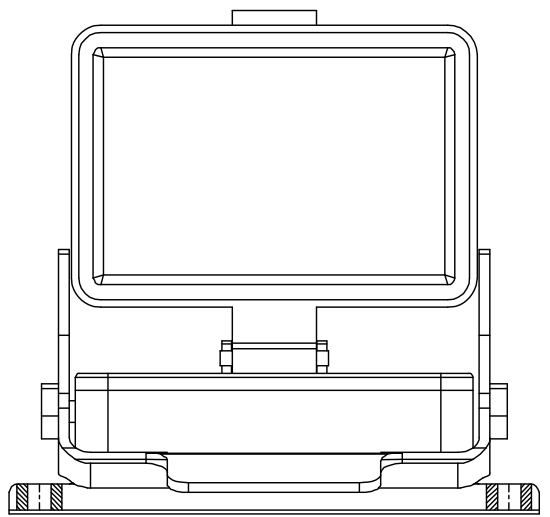
REV	SYM	Revision Record	Appr.	Date
V0	KLS01695	New Version Release	WuHao	2025-07-05



**Material:**  
 Housing: Aluminium Die-Cast, UL 94V-0  
 Surface: Powder-Coated  
 Colour: RAL 7037 (Grey)  
 Temperatures range: -40°C ~ +125°C  
 Degree of protection: IP65  
 (Acc. to IEC 60529 for coupled Connector)  
**Locking Element:**  
 Locking Type: Single Locking Latch  
 Material: Stainless Steel + TPE  
 Hoods/Housings Sealing: NBR



**Order Information:**  
 L-KLS1-H32B-BK-1L (XX)  
 L: RoHS  
 H32B series  
 Cable entry:  
 BK: bulkhead mounting  
 1L: Single locking latch  
 C: Plastic cover  
 MC: Metal cover



ITEM	Describe
L-KLS1-H32B-BK-1L	Without cover
L-KLS1-H32B-BK-1LC	With Plastic cover
L-KLS1-H32B-BK-1LMC	With Metal cover

With Metal / Plastic cover

Without cover

ANGLE TOLERANCE	PROJECTION	Description:
±3°		Heavy Duty Connectors H32B Series Hoods, Bulkhead Mounting
GENERAL TOLERANCE	UNITS	mm
x.x ±0.30	SHEET SIZE	A4
x.xx ±0.20	Draw:	WuHao 2025-07-05
x.xxx ±0.10	Check:	Daniel 2025-07-05



NingBo KLS ELECTRONIC CO.,L.TD.